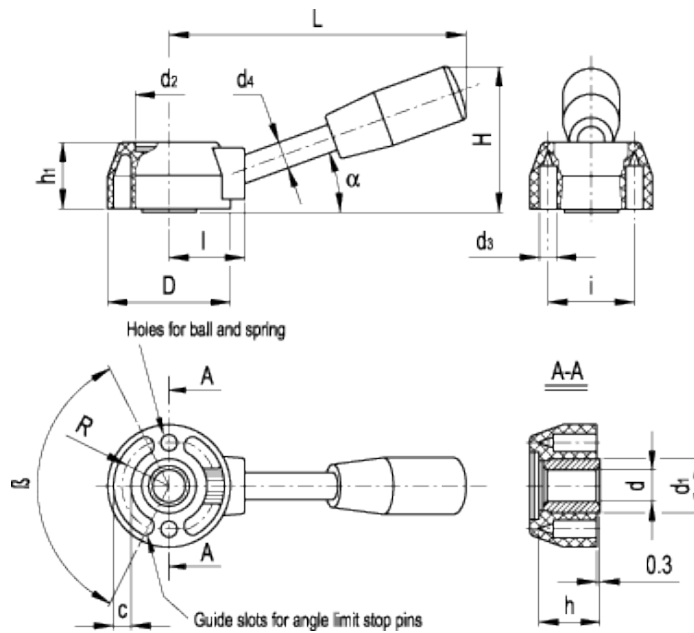


LBR.

Control levers



ELESA Original design



technical informations

Lever body

Glass-fibre reinforced polyamide based (PA) technopolymer. Resistant to solvents, oils, greases and other chemical agents.

Colour

Black, glossy finish.

Assembly

Black-oxide steel boss, H7 reamed hole.

Lever arm

Matte chrome-plated steel with cylindrical handle type [L.280](#) in phenolic based (PF) Duroplast, black colour, glossy finish.

Self-adhesive front plate

Matte anodised aluminium to be fitted after the assembly of the lever.

Accessories on request

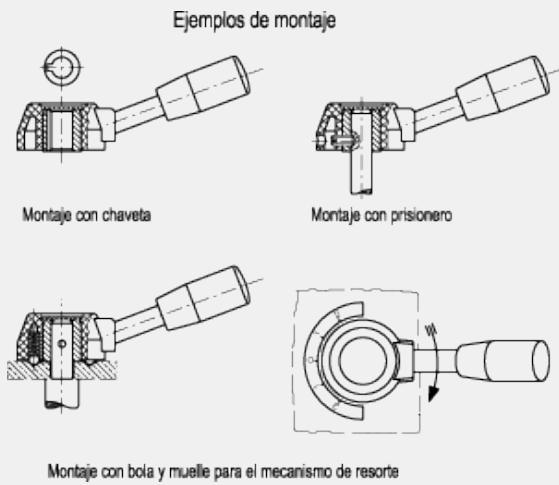
- Axial retaining washer type [GN 184](#).
- Ball and spring for clicking operation to be fitted into the two holes drilled at 180° (see ball and spring [MS](#)).

Special executions on request (For sufficient quantities)

- Different arms lengths.
- Different handles shapes.
- Front plate with words, marks, symbols, graphics, etc...

Limited manoeuvre angle assembly

A limited manoeuvre angle assembly is possible by setting on the machine frame one or two stop pins matching the rear guide slots of the lever body.



Standard Elements		Main dimensions														Mounting hole		Weight
Code	Description	D	L	H	h ₁	α	d ₁	d ₂	d ₃	d ₄	i	l	R	c	β	d _{H7}	h	g
33101	LBR.37/85 A-8	37	81	46	20	25°	18	21	5	10	26	22	13.8	4.3	125±1°	8	17	75
33102	LBR.37/85 A-10	37	81	46	20	25°	18	21	5	10	26	22	13.8	4.3	125±1°	10	17	71
33103	LBR.37/85 A-12	37	81	46	20	25°	18	21	5	10	26	22	13.8	4.3	125±1°	12	17	66
33201	LBR.45/110 A-8	45	108	52	25	20°	22	25	6	10	32	28	17.5	7	125±1°	8	22	132
33202	LBR.45/110 A-12	45	108	52	25	20°	22	25	6	10	32	28	17.5	7	125±1°	12	22	120
33203	LBR.45/110 A-15	45	108	52	25	20°	22	25	6	10	32	28	17.5	7	125±1°	15	22	105
33301	LBR.54/130 A-10	54	127	61	30	20°	26	31	8	12	39	34	20.2	7.3	125±1°	10	27	213
33302	LBR.54/130 A-14	54	127	61	30	20°	26	31	8	12	39	34	20.2	7.3	125±1°	14	27	198
33303	LBR.54/130 A-18	54	127	61	30	20°	26	31	8	12	39	34	20.2	7.3	125±1°	18	27	175
33401	LBR.75/170 A-18	75	170	80	38	20°	30	42	10	14	55	45	26	15	105±1°	18	34	360

This product had the following design awards:



ELESA and GANTER models all rights reserved in accordance with the law. Always mention the source when reproducing our drawings.

STANDARD MACHINE ELEMENTS WORLDWIDE